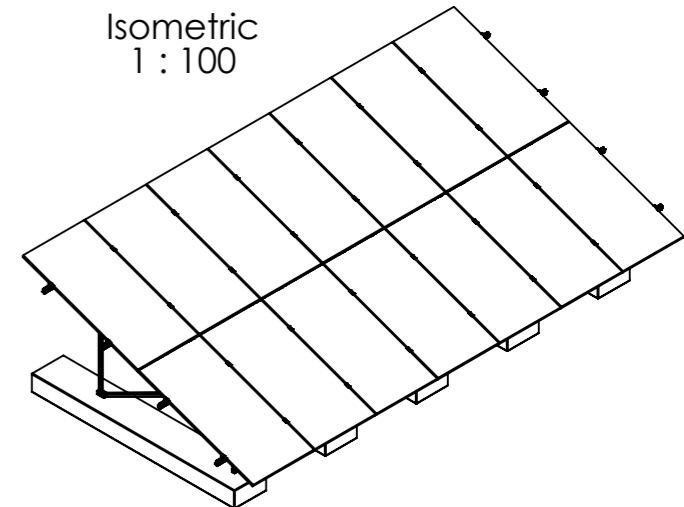


Acc. to the installation manual,
the clamp position and the modules
have to be installed in a symmetrical
arrangement to the beam length.



14 modules (2x7 Portrait)
for module width ≤ 1155 mm

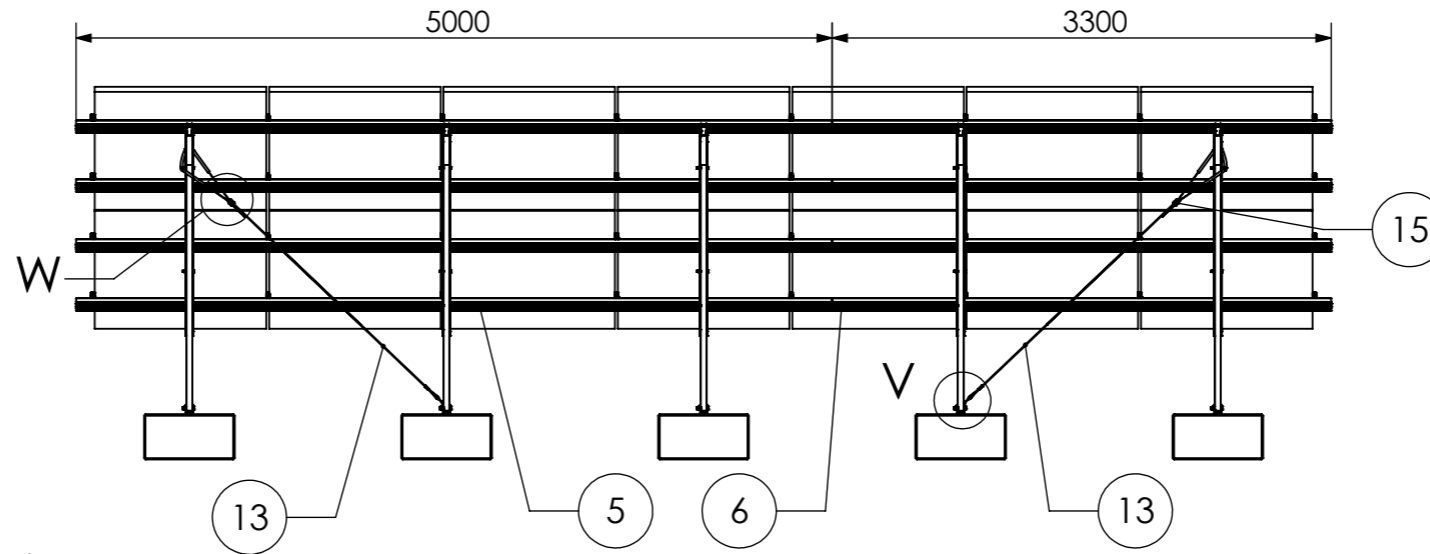
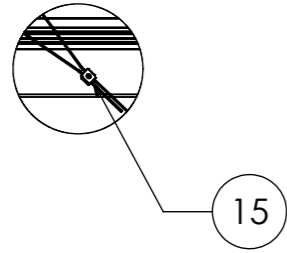
12 modules (2x6 Portrait)
for module width 1155-1303 mm

Peak velocity $q_p[z]$: 0.67kN/m²
Ground snow load S_k : 1.75kN/m²

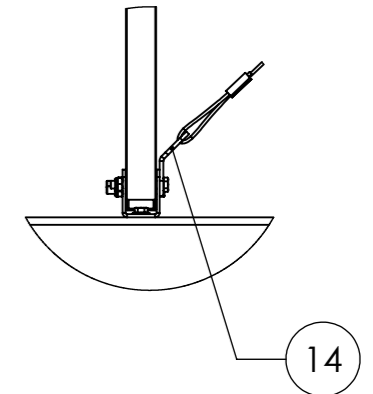
	K2 Systems GmbH Haldenstr. 1 71272 Renningen Germany +49 7159 42059-0			Designation: Data sheet N-Rack 2.20 Concrete 2x7 L	
	Name	Date	Material:	Item no.:	---
	Designed	C. Erb	16.12.2025	Surface: -	---
	Approved	L. Kreemke	16.03.2026	Weight: -	---
Last change			Scale: 1:50		---
This drawing is the sole property of K2 Systems GmbH. It is protected by copyright and may only be copied, reproduced or distributed to a third party with explicit permission!					

A3	
All dimensions in mm	
Sheet 1 of 1	

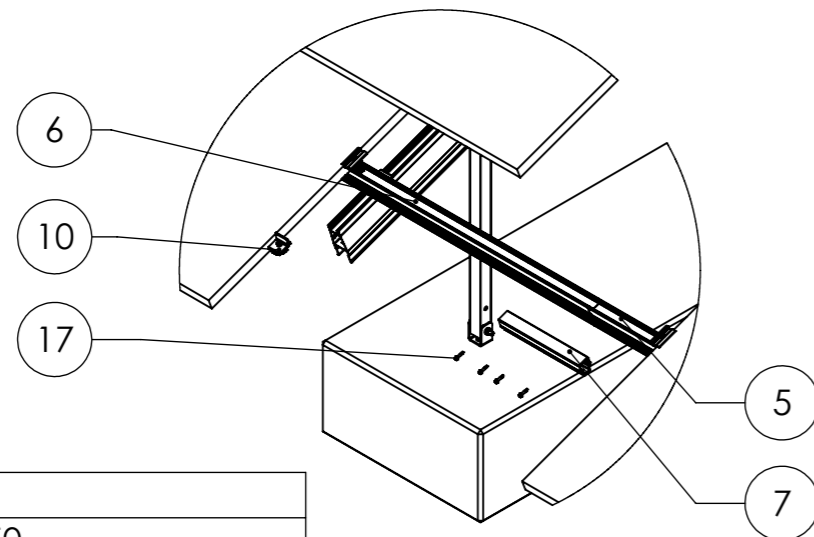
Detail W
1 : 20



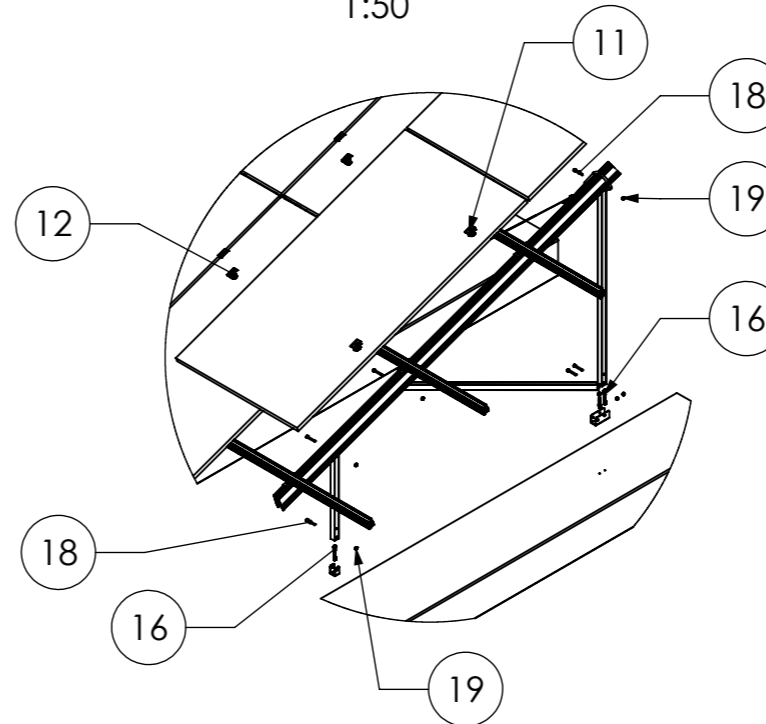
Detail V
1 : 10



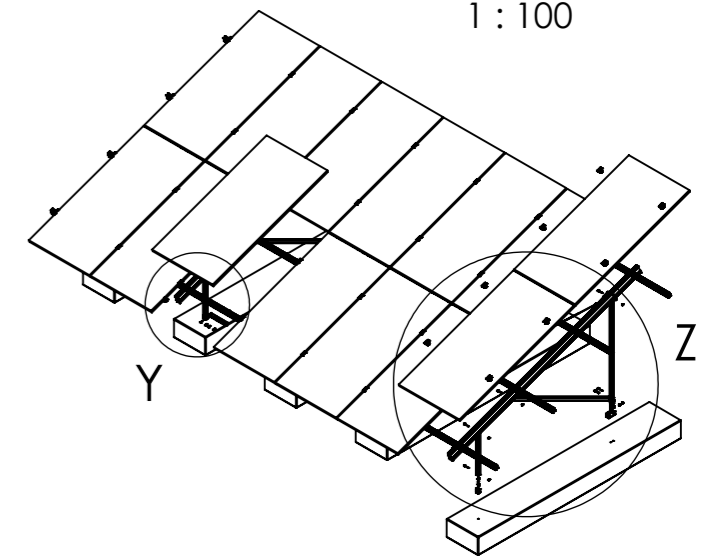
Detail Y
1 : 20



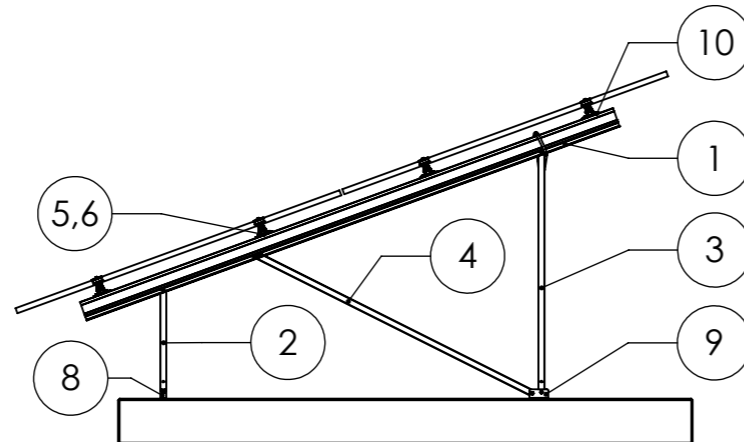
Detail Z
1 : 50



Isometric
1 : 100



Pos.No.	Designation
1	Beam N-Rack 3750
2	3-Hole Brace N-Rack 715
3	3-Hole Brace N-Rack 1625
4	2-Hole Brace N-Rack 2072
5	CrossRail 73 - 5 m
6	CrossRail 73 - 3,3 m
7	CrossRail 73 Connector
8	N-Rack Foot front
9	N-Rack Foot back
10	Climber 36/50 Set
11	EC Clamp Set
12	MC Clamp Set
13	Gripple Bracing
14	Gripple Angle
15	Gripple Lock
16	Heco Multi-Monti 12 x105 - A4
17	Self-tapping screw 5,5 x 25 - A2
18	Hexagon head bolt M10 x 70 ISO 4014 - A2-70
19	Hexagon nut M10 - DIN 985 - A2-70



14 modules (2x7 Portrait)
for module width ≤ 1155 mm

12 modules (2x6 Portrait)
for module width 1155-1303 mm

Peak velocity $q_p[z]$: 0.67kN/m²
Ground snow load S_k : 1.75kN/m²



K2 Systems GmbH
Haldenstr. 1
71272 Renningen
Germany
+49 7159 42059-0

Designation:		Data sheet	
		N-Rack 2.20 Concrete 2x7 L	
Item no.:	---	A3	
Drawing no.:	---	All dimensions in mm	
Scale: 1:50		Sheet 1 of 1	

This drawing is the sole property of K2 Systems GmbH. It is protected by copyright and may only be copied, reproduced or distributed to a third party with explicit permission!